

Packaged Terminal Air Conditioner or Heat Pump 7,000 to 14,000 Btuh Accessory Locking Control Door

Cancels: New

IIK PA5S-07-12
2/1/99

Installation Instructions

Part No. SECURITY-DOOR
For Use with Packaged Terminal Air Conditioners

INTRODUCTION

The accessory locking control door prevents unauthorized access to unit controls. The accessory kit includes a bracket, replacement control door and keylock assembly, and 2 keys.

INSTALLATION

1. Remove the plastic front panel by grasping it firmly near the top of both sides, lifting the panel slightly, and rotating the front panel hooks out of their pockets in the chassis basepan. See Fig. 1.
2. Remove the hinged aluminum control door from its channel in the top plate by sliding it out to the right. Discard or recycle.
3. Note the louver orientation on the discharge grille. Remove the 2 screws from the sides of the grille. Save the screws for reassembly.
4. Remove the discharge grille by rotating it upwards and pulling it out. Save the grille for reassembly.
5. As shown in Fig. 2, place the bracket over the grille mounting flange and align the two screw holes. The bracket must be oriented as shown in the detail in Fig. 2.
6. Orient the discharge grille louvers as they were originally; place the top edge of the grille underneath the channel in the top plate and rotate the grille down until it is seated.

Align the mounting holes on the discharge grille with the hole in the unit and the hole in the aligned door bracket and grille mounting flange. Secure the grille with the 2 screws removed in Step 3. Use one screw to secure the grille to the mounting flange through the aligned door bracket (Fig. 3); use the other screw to secure the other end of the grille to the unit.

NOTE: The door bracket and grille mounting flange each have 2 sets of screw holes. Once they are aligned (Step 5), the grille screw hole will line up with either set of the door bracket and mounting flange screws, depending on the orientation of the grille. See Fig. 3.

7. From the right side of the unit, slide the top left edge of the replacement door into the mating channel in the top plate. Slide the door to the left until it is fully seated and make sure the door rotates upward freely. See Fig. 2 and 3.
8. Check the keylock for proper operation; to prevent unauthorized access, lock the door.
9. Reverse Step 1 to reinstall the plastic front panel. See Fig. 4.

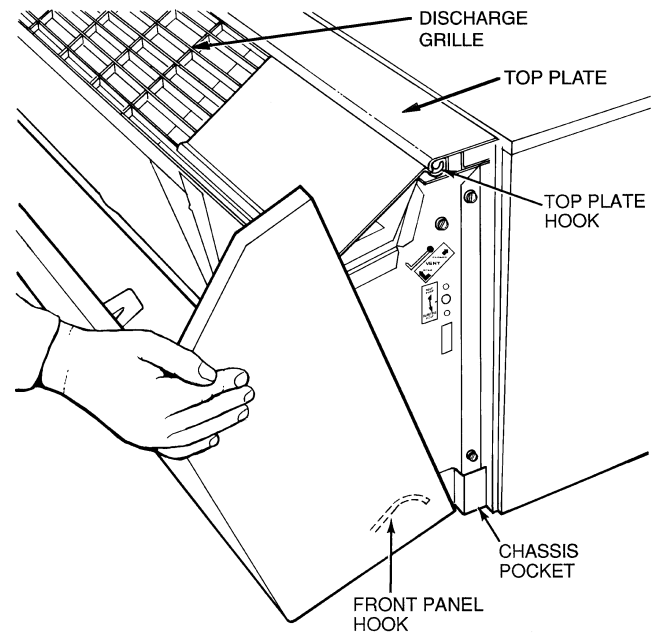


Fig. 1 — Removing Front Panel

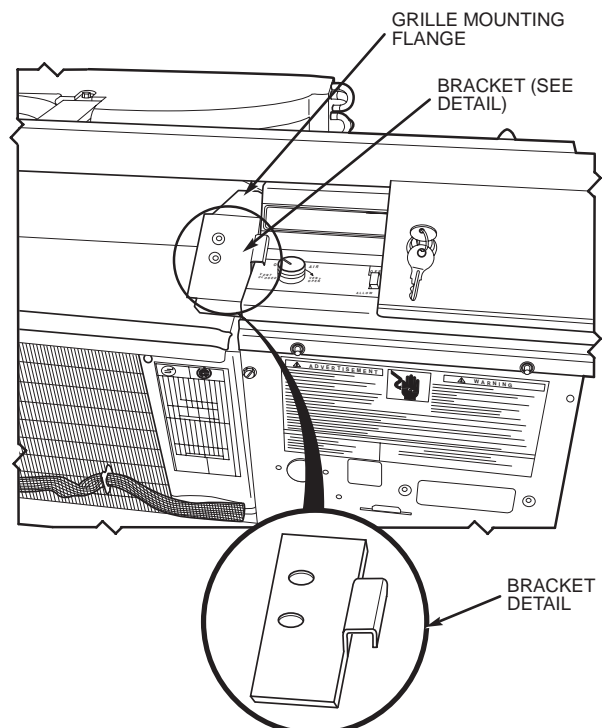


Fig. 2 — Locking Control Door Bracket

Manufacturer reserves the right to discontinue, or change at any time, specifications or designs without notice and without incurring obligations.

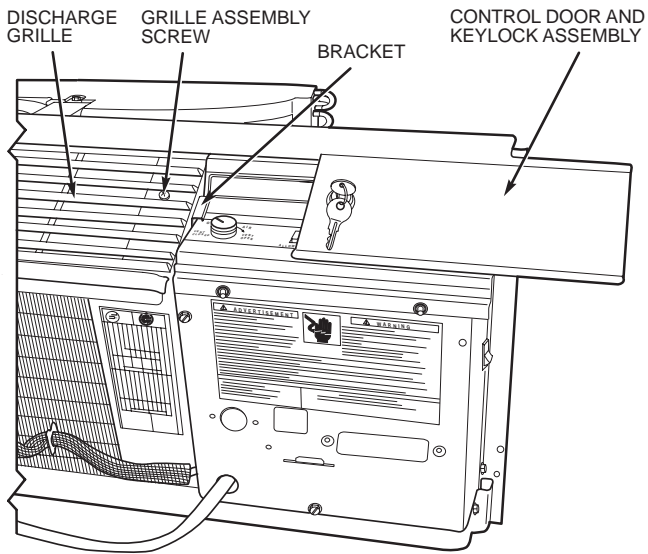


Fig. 3 — Replacing Grille and Installing Control Door

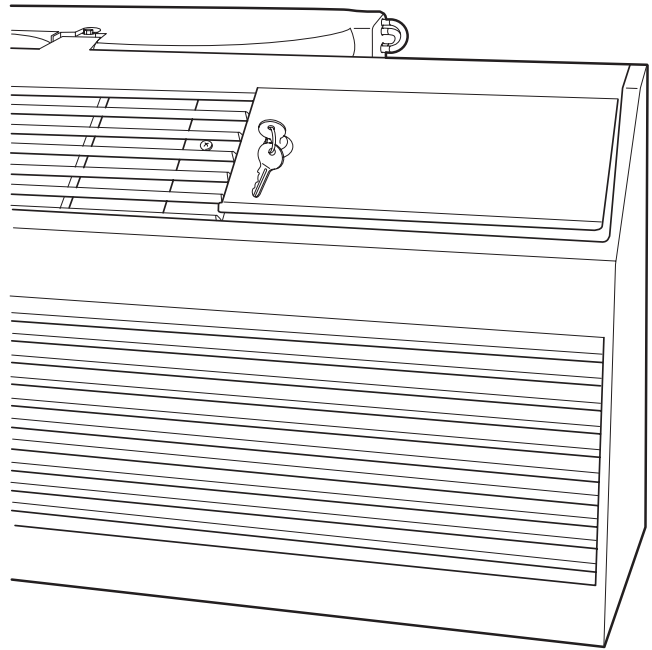


Fig. 4 — Assembled Unit with Locking Control Door